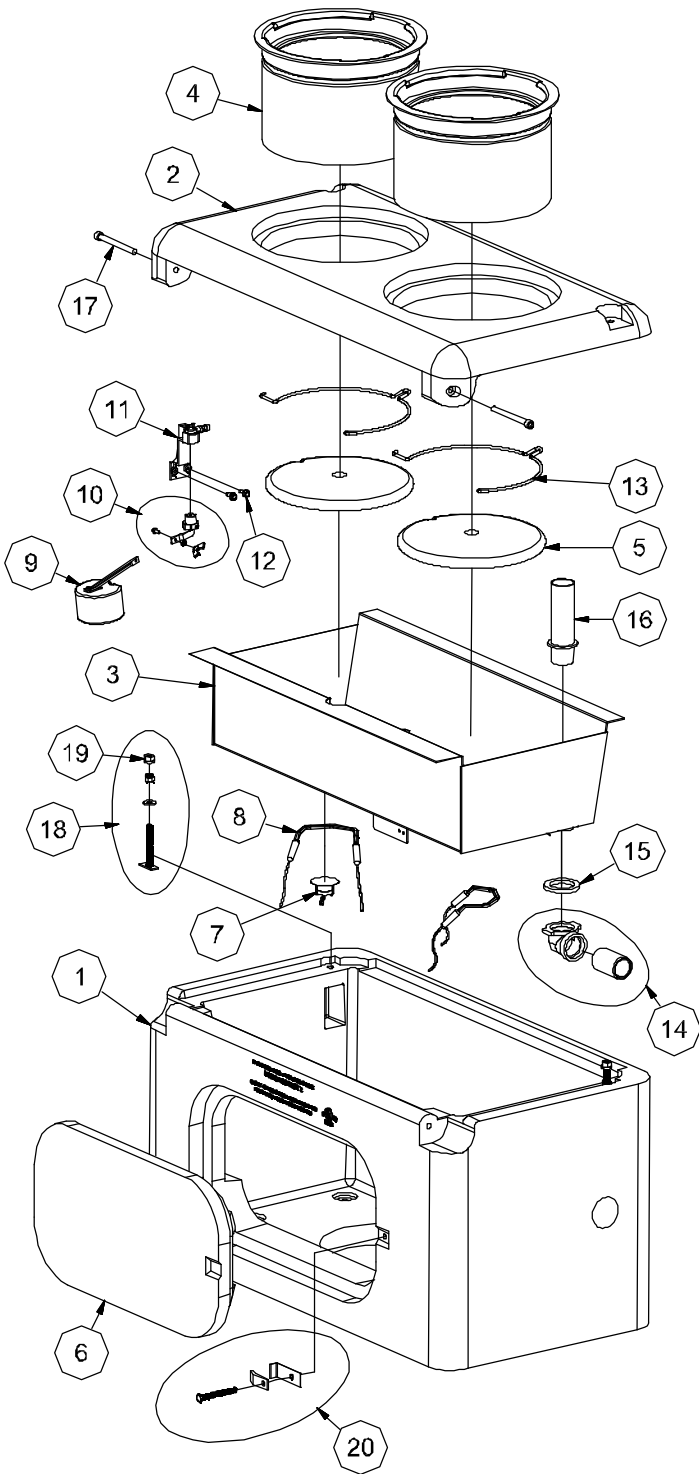


# EcoFount 2

Part # 18440



Item	Part #	Description	Qty
1	18446	EcoFount 2 Casing	1
2	18444	EcoFount 2 Top	1
3	18438	Trough – EcoFount 2	1
4	18447	EcoFount Drink Well W/ Ring Pkg.	2 Pkg.
5	14412	Thermal Cap	2
6	18370	Access Panel 10" x 10" Poly	1
7	11885	Disc Thermostat Pkg.	1 Pkg.
8	14150	125W Element (120 Volt) (1/Pkg.)	2 Pkg.
9	12836	Float W/Long Arm Pkg.	1 Pkg.
10	12575	Valve ½" Red Pkg.	1 Pkg.
11	11515	Valve Bracket ½" w/ Screw Pkg.	1 Pkg.
12	15154	Screw-Valve Bracket (10/Pkg.)	1 Pkg.
13	17963	Retaining Ring	2
14	16172	Drain Pipe W/Elbow	1
15	18075	Drain Washer (6/Pkg.)	1 Pkg.
16	14647	Drain Plug & Overflow	1
17	18452	Screw 3/8 x 3 SS (2/Pkg.)	1 Pkg.
18	18448	Bolt w/ Nut (2/Pkg.)	1 Pkg.
19	18451	Nut 3/8 Pkg. (4/Pkg.)	1 Pkg.
20	18147	Access Panel Hardware Pkg.	1 Pkg.
NS	13830	48W Cable Heater (120V) (1/Pkg.)	1 Pkg.
NS	18429	EcoFount Accessory Pkg.	1 Pkg.

For 240 Volt EcoFount 1 #18441, See Parts Below

NS	16424	48W Cable Heater (240V) (1/Pkg.)	1 Pkg.
NS	16664	200W Element (240 Volt) (1/Pkg.)	1 Pkg.

NS = Not Shown

*Italicized text = Not included or optional configuration add-ons*